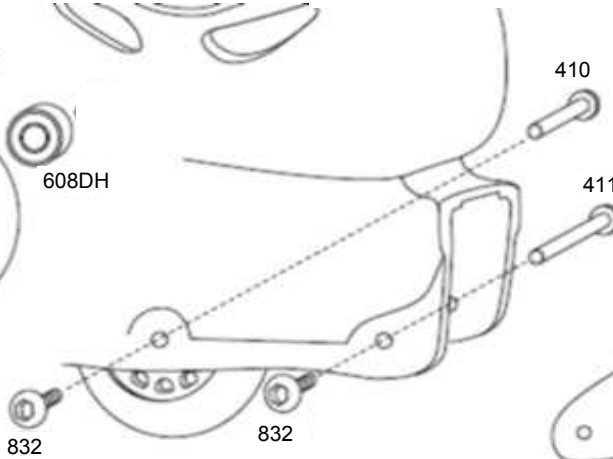
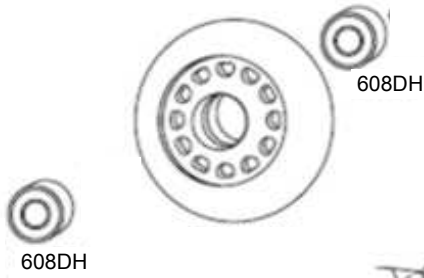


CA234M/CA234W PARTS LIST

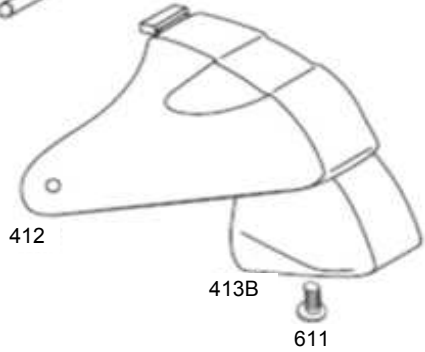
Typhoon Adjustable

Large sz 6-9

WHEEL ASSEMBLY



BRAKE ASSEMBLY



Part #	Description	Cost	Qty	Total	Part #	Description	Cost	Qty	Total
410	Female Axle	\$0.40			3248L	Strap/Lever Left	\$1.50		
832	Male Axle Screw	\$0.40			3248R	Strap/Lever Right	\$1.50		
608DH	Bearing - Double Hub	\$0.50			2248C	Clip - Clear	\$1.00		
611	Male Heel Stop Screw	\$0.40			2234M	Liner - Black	\$10.00		
411	Female Axle (Brake)	\$0.40			2234W	Liner - Gray	\$10.00		
BF7624BB	Small Wheel - 64mm Blue	\$6.00			413B	Heel Stop - Black	\$1.50		
					412	Heel Stop Bracket	\$1.50		

All orders must be paid by check, Visa, or Mastercard prior to shipment
 All orders are required to be faxed or mailed with signature

CA residents add 8% tax
 IL residents add 7.25% tax
 PA residents add 6% tax

Subtotal	
Tax	
Shipping and Handling	\$6.25
TOTAL	

Name: _____ Signature: _____ Phone: _____

Address: _____ City: _____ State: _____ Zip: _____

MC or Visa #: _____ Exp Date: _____

1. Check the axle screws on each wheel. The male and female should be tightened firmly prior to each use.
2. Check heel stop screw before skating. The male and female should be tightened firmly. If heel stop shows substantial wear, it should be replaced.

1. Prüfen sie die schrauben aller rollen, schraube und mutter vor gebrauch gut festdrehen.
2. Prüfen sie die schraube beim stopper bevor sie fahren. Schraube und mutter gut befestigen. Ersetzen sie den stopper, wenn er abgenutzt ist.

1. Sur chaque roue, vérifiez les vis de l'essieu. Les vis males et femelles doivent être serrées fermement avant l'utilisation des patins.
2. Vérifiez les vis du frein avant l'utilisation des patins. Les vis males et femelles doivent être serrées fermement. Si le frein arrière montre des signes apparents d'usure. Veuillez le remplacer.

1. Cheque los tornillos de cada rueda, macho y hembra de los tornillos deberan apretarse antes de cada uso.
2. Cheque todos los tornillos del freno para asegurarse que esten bien apretados. Si nota que la goma del freno esta gastada, esta debera ser reemplazada por una nueva